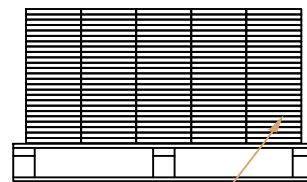
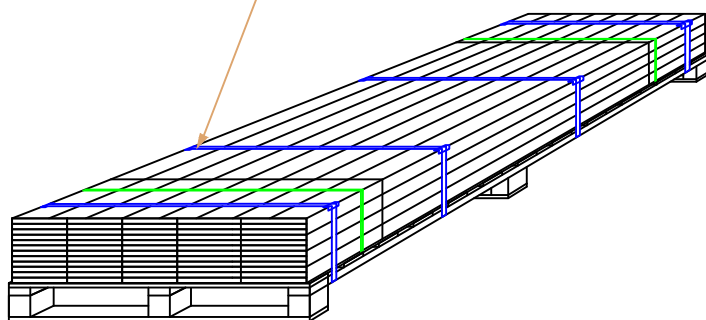


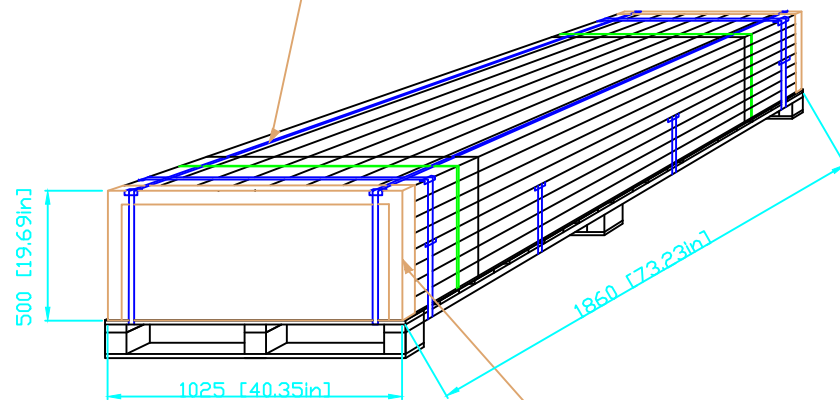
2mm Plywood

There are 4 band in the middle of the pallet

There are 4 belts out of the pallet: before packaging the 4 belts, the wrap film is at least three layers and ensure full of the decking.



Layout: 5 rows x 25 layers



Corner guard on each corner

REVISOR: Lina.L
 REVISED DATE:
 DASSO XTR

REVISION: Lina.L
 REVISED DATE:
 PAGE NO:

DASSO
 6060 Boat Rock Boulevard SW
 Suite 500, Atlanta, GA 30336
 www.dassoxt.com
 Tel: 404-691-6872

PRODUCT: XTR-LUM20-205-UF
 TITLE: PALLET PACKAGE
 DRAWN BY: Lina.L DATE: July01,2016 SCALE: 1:1 CONTACT: 404-691-6872
 FILE: Dasso.XTR-LUM20-205-UF.DWG PRINTED:

Thickness tolerance: ±0.15mm
 Width tolerance: ±1mm
 length tolerance: ±1.5mm