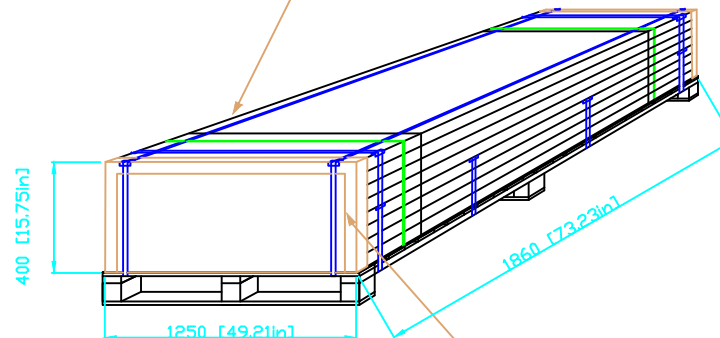
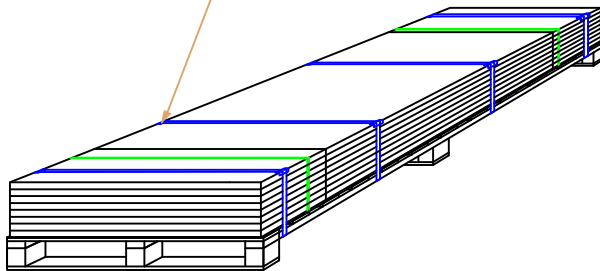


There are 4 band in the middle of the pallet

There are 4 belts out of the pallet: before packaging the 4 belts, the wrap film is at least three layers and ensure full of the decking.



Layout: 1 rows x 20 layers

Corner guard on each corner

REVISOR BY: Lina.L	REVISION ON: REVISED DATE:	PAGE NO.:
Dasso XTR		

DASSO

6060 Boat Rock Boulevard SW
Suite 500, Atlanta, GA 30336
www.dassoxt.com
Tel: 404-691-6872

PRODUCT: XTR-PAN20

TITLE: PALLET PACKAGE

DRAWN BY: Lina.L

DATE: July01,2016

SCALE: 1:1

CONTACT: 404-691-6872

FILE: Dasso.XTR-PAN20.DWG

PRINTED:

Thickness tolerance: $\pm 0.15\text{mm}$
Width tolerance: $\pm 1\text{mm}$
length tolerance: $\pm 1.5\text{mm}$