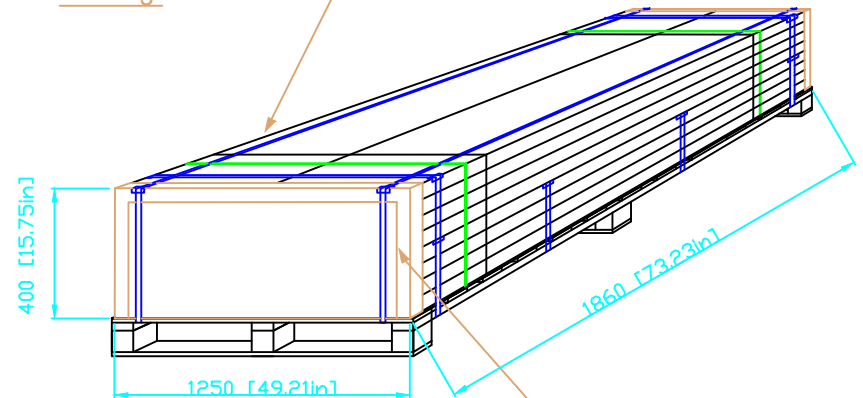
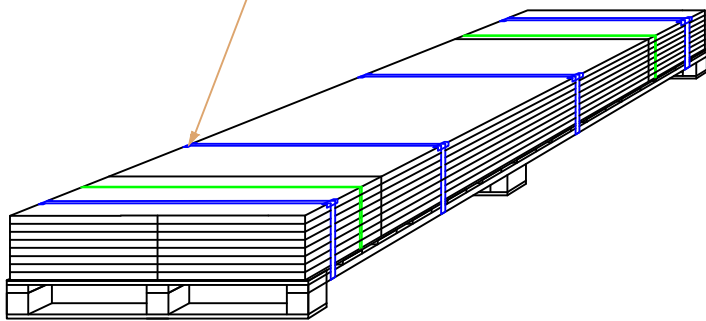


2mm Plywood

There are 4 band in the middle of the pallet

There are 4 belts out of the pallet: before packaging the 4 belts, the wrap film is at least three layers and ensure full of the decking.



Layout: 2 rows x 20 layers

Corner guard on each corner

REVISED BY: Lina.L
REVISED DATE:

REVISE ON:

PAGE NO:

DASSO

6060 Boat Rock Boulevard SW
Suite 500, Atlanta, GA 30336
www.dassoxt.com
Tel: 404-691-6872

PRODUCT: XTR-PAN20H

TITLE: PALLET PACKAGE

DRAWN BY: Lina.L DATE: July01,2016

SCALE: 1:1

CONTACT: 404-691-6872

FILE: Dasso.XTR-PAN20H.DWG

PRINTED:

Thickness tolerance: $\pm 0.15\text{mm}$

Width tolerance: $\pm 1\text{mm}$

length tolerance: $\pm 1.5\text{mm}$

Dasso XTR